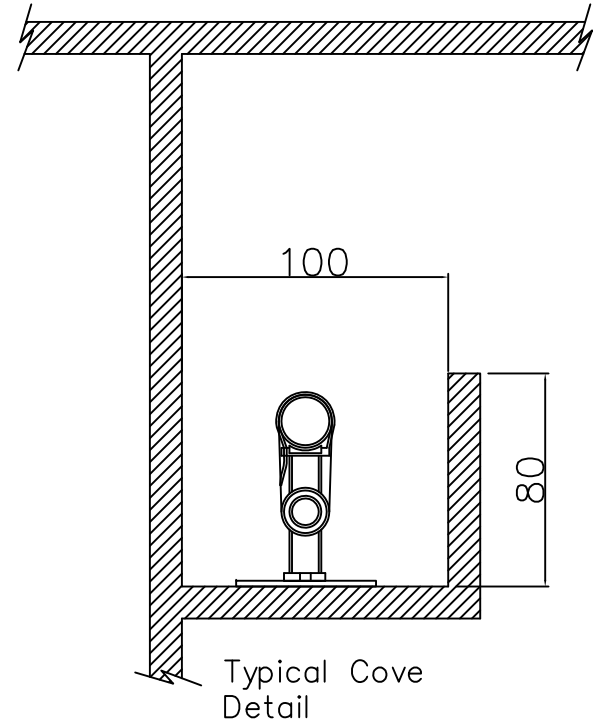
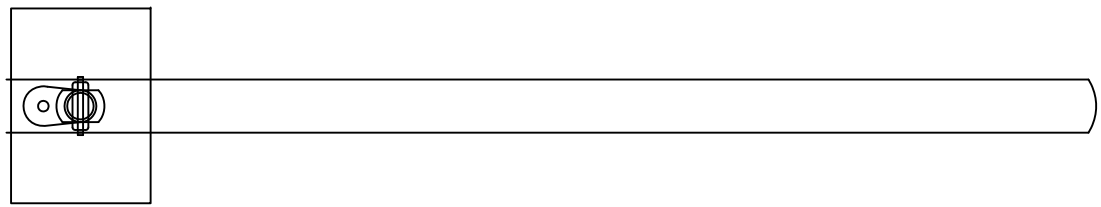
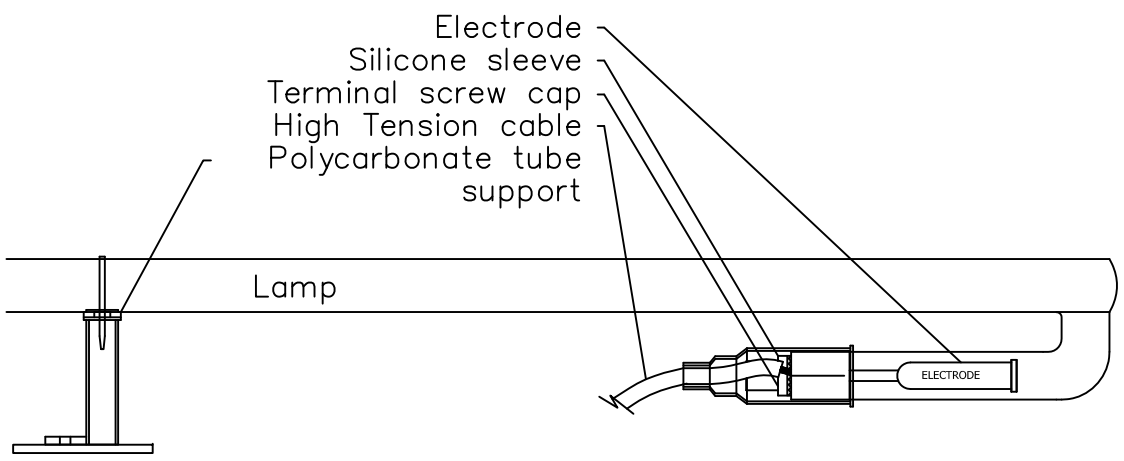


Up to 2000mm Lamps



Typical Cove Detail



Turned Back Electrode Detail

**Notes**

Cold cathode can be manufactured in a variety of colours and be hand moulded to follow almost any desired contour or shape.

High and low voltage cold cathode is available in a diameter range of 10mm to 20 mm. The tube diameter is relational to the maximum tube length that can be run in both the high voltage and low voltage installations

Electrode milliamps range from 25mA to 250mA depending on required brightness, diameter of glass and the final output of the transformers to be used.

Low voltage transformers run at 990v and are available in 50mA, 70mA, 90mA and 180mA units. These units are fully dimmable. Low voltage transformers come as a single and twin unit.

High voltage transformers run at up to 10kV and up to 200mA giving the advantage of greater lengths of tubing on one circuit from one transformer. These units are also fully dimmable and can be utilised with a flasher unit.

Also available in both voltages is RGB colour changing cold cathode lighting.

**AIDESIGNS**  
 Unit 9a Wandle Technology Park  
 Mill Green road  
 Mitcham  
 CR44HZ

**Title**  
 Single Line Lamp On Class 1 Fire Retardant Foamex. Powered By Either Low Voltage or High Voltage Transformers

<b>Drawn By</b> AN	<b>Date</b> 02.08.04	<b>Scale</b> n/a @ A1
-----------------------	-------------------------	--------------------------

Dimensions in mm unless otherwise stated  
 Drawing NOT to scale